



# For Gentle Product Flow

## LKB-LP Low Pressure Butterfly Valve

### Application

LKB Low Pressure is a sanitary manually operated butterfly valve for use in stainless steel pipe systems.

### Working principle

LKB Low Pressure is operated by means of a handle. The handle mechanically locks the valve in its open or closed position. A disc closes against a rubber seal when the handle is at right angle to the pipeline. When the handle is turned 90° the disc is parallel to the product flow and the valve is fully open.

### Standard design

The valve consists of two valve body halves, valve disc, bushes for the stem and seal ring. The valve is assembled by means of screws and nuts.

The handle is fitted onto the valve by means of a cap/block system and screw.

### Materials

Valve body: . . . . .Stainless steel 1.4301 (304).  
 Disc: . . . . .Stainless steel 1.4301 (304).  
 Handle: . . . . .Stainless steel 1.4301 (304).  
 Seal: . . . . .EPDM.  
 Finish: . . . . .Semi bright.

### Size

DN/OD 25 mm (1")	DN 25
DN/OD 38 mm (1½")	DN 40
DN/OD 51 mm (2")	DN 50
DN/OD 63.5 mm (2½")	DN 65
DN/OD 76.1 mm (3")	DN 80
DN/OD 101.6 mm (4")	DN 100

### Technical Data

#### Valve:

Max. product pressure: . . . . .500 kPa (5 bar).  
 Min. product pressure: . . . . .Full vacuum.  
 Temperature range: . . . . .-10°C to +95°C.

### Materials

#### Valve:

Finish: . . . . .Semi-bright.  
 Steel parts: . . . . .1.4301 (304).  
 Seal: . . . . .EPDM  
 Bushes for valve disc: . . . . .PVDF.



LKB Low Pressure Butterfly valve

### Connections

LKB Low Pressure is available with the following connection combinations:

- ISO welding end - ISO welding end.
- DIN welding end - DIN welding end.
- ISO clamp end - ISO clamp end.

**NOTE!** Actuator not available.

Dimensions (mm) - Valve (900246/1)

Size	25 mm	38 mm	51 mm	63.5 mm	76.1 mm	101.6 mm	DN 25	DN 40	DN 50	DN 65	DN 80	DN 100
A	78.0	78.0	99.0	117.0	132.0	169.0	79.2	86.5	105.7	125.0	143.0	169.0
B <sub>1</sub>	47.0	47.0	52.0	54.0	62.0	80.0	47.0	47.0	52.0	62.0	64.0	80.0
B <sub>2</sub>	90.0	90.0	95.0	97.0	105.0	123.0	-	-	-	-	-	-
OD	25.6	38.6	51.6	64.1	76.6	102.2	30.0	42.0	54.0	70.0	85.0	104.0
ID	22.5	35.5	48.5	60.5	72.0	97.6	26.0	38.0	50.0	66.0	81.0	100.0
t	1.55	1.55	1.55	1.8	2.3	2.3	2.0	2.0	2.0	2.0	2.0	2.0
C <sub>1</sub>	89.0	89.0	99.0	109.0	116.0	135.0	89.0	93.0	103.0	113.0	122.0	135.0
C <sub>2</sub>	91.0	91.0	101.5	110.5	118.0	136.5						
D <sub>1</sub>	120.0	120.0	120.0	162.0	162.0	162.0	120.0	120.0	120.0	162.0	162.0	162.0
D <sub>2</sub>	150.0	150.0	150.0	150.0	200.0	200.0						
Weight (kg)	1,1	1,0	1,5	2,1	2,8	4,8	1,1	1,0	1,5	2,1	2,8	4,8

**NOTE!** Weights are for valves with welding ends and handles.

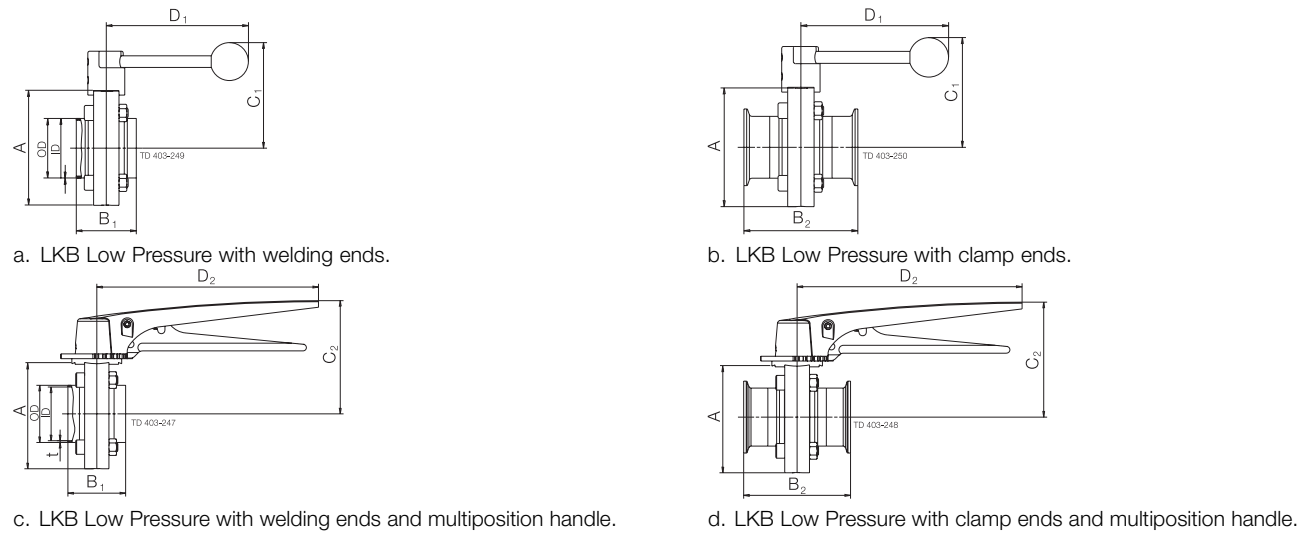
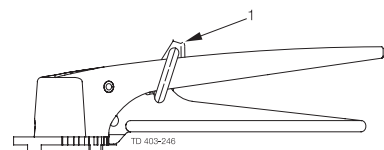


Fig. 1. Dimensions - valve.

**Options**

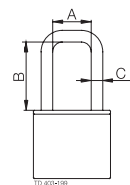
- Multipositioning handle\*

\* A padlock can be mounted on the Lockable Multiposition Handle as shown on the drawings. **NOTE!** Padlock is not delivered.



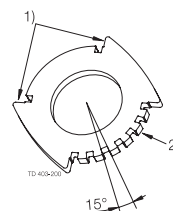
Lockable Multiposition Handle with padlock.

1. Padlock



Dimensions - padlock.

- A. Min. 20 mm
- B. Min. 35 mm
- C.  $\varnothing$ 6 mm



Positioning cap.

1. On/Off
2. Multi positioning

**How to contact Alfa Laval**

Contact details for all countries  
are continually updated on our website.  
Please visit [www.alfalaval.com](http://www.alfalaval.com) to  
access the information direct.