



Simply Unique

Unique 7000 Series Tank Outlet Valve

General Information

The Unique 7000 Series is an innovative new generation of Tri-Clover® single seat valves that are designed to meet the highest process demands of hygiene and safety. They're built on a well-proven, platform from an installed base of more than one million valves.

Application

The Unique 7000 is a sanitary air-operated seat valve with a flexible design. It can be configured as a standard or a reverse acting valve (open into the tank) with one or two ports. It's ideal applications include the dairy, beverage, brewery, food, pharmaceutical, biotechnology and personal care industries.

Working principle

The valve is remote-controlled by means of compressed air. It has few and simple moveable parts which results in a very reliable valve and low maintenance cost.

Standard design

The Unique 7000 Tank Outlet valve is designed to deliver years of reliability and performance you've come to expect with all Tri-Clover® products. Its flexible design consists of a valve body, seat and tank flange that are clamped together. The TR2 seat ring with enhanced CIP capabilities and hygiene comes standard with all Unique 7000 series valves. For added confidence, the valve can be supplied with a controlled compression elastomer seat ring. The standard actuator comes with a five year warranty. The Unique 7000 Tank Outlet valve sizes range from 2" to 4".

The body can be turned in any position if the clamps are slightly loosened. The tank flange is welded directly into the tank. (Important! Observe welding guideline in instruction manual) The tank flange is supplied with TÜV approval AD 2000 and inspection certificate 3.1 according to EN10204.

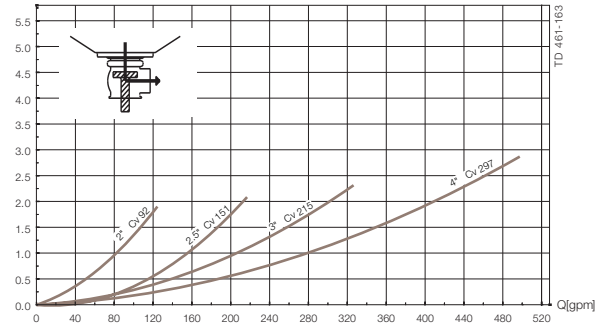
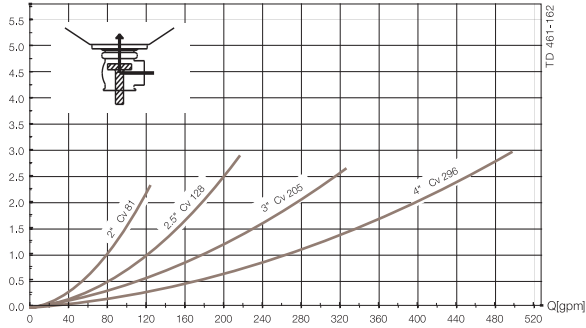
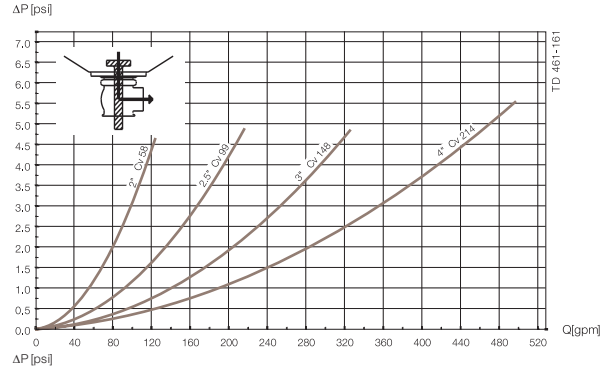
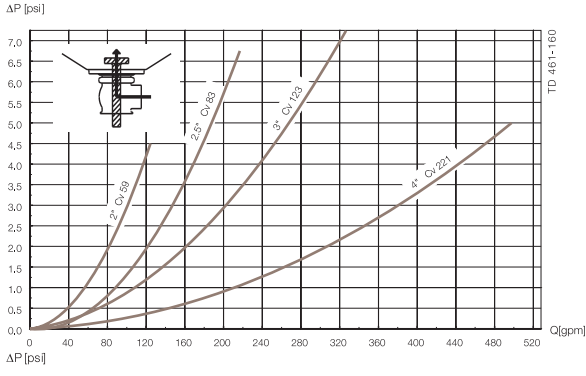
Other valves in the same basic design

- Single Seat valve.
- Reverse acting valve.
- Long stroke valve.
- Manually operated valve.
- Aseptic valve



Unique 7000 Series Tank Outlet Valve

Pressure drop/capacity diagrams



Note!

For the diagrams the following applies:

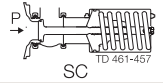
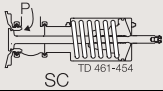
Medium: Water (68° F/20° C)

Measurement: In accordance with VDI2173

Pressure data for Unique 7000 Series Tank Outlet Valve

Table 1

Max. pressure in psi without leakage at the valve seat

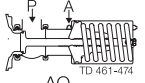
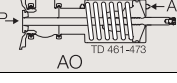
Actuator / Valve body combination and direction of pressure	2"	2½"	3"	4"
 SC TD 461-457	104	61	93	61
 SC TD 461-454	122	65	99	64

P = Product pressure

SC = Spring closes

Table 2

Max. pressure in psi against which the valve can open.

Actuator / Valve body combination and direction of pressure	Air pressure (psi)	Valve size			
		2"	2½"	3"	4"
 AO TD 461-474	87	145	131	145	100
 AO TD 461-473	87	145	121	144	96

A = Air

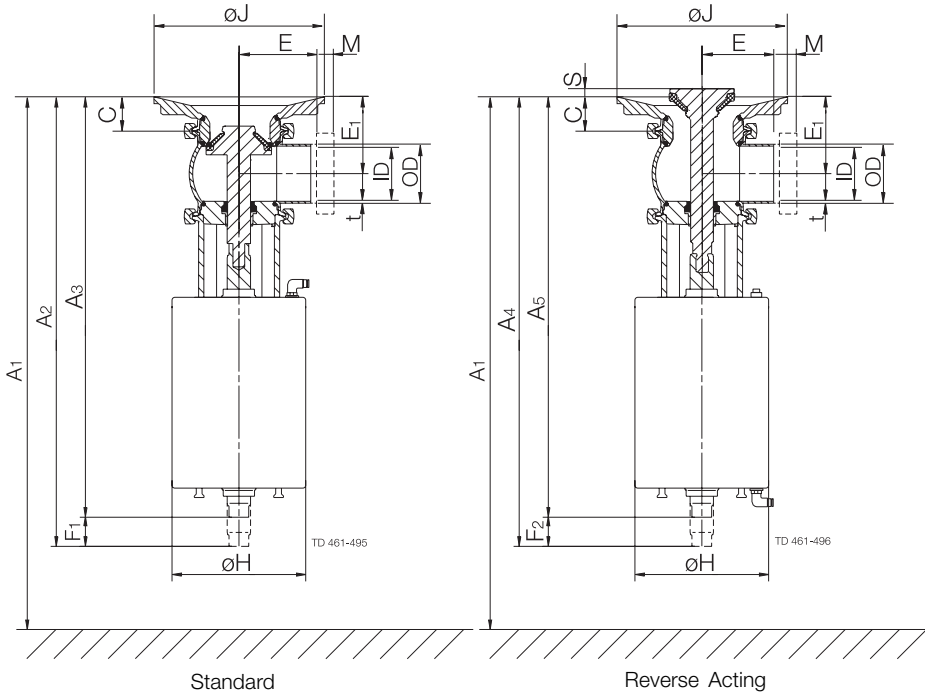
P = Product pressure

AO = Air opens

Dimensions

Size	2"	2½"	3"	4"
A1	16.79	17.28	18.84	19.81
A2	15.49	15.98	17.5	18.51
A3	14.50	15	16.36	17.33
A4	15.37	15.86	17.42	18.39
A5	14.35	14.84	16.20	17.17
C	1.18	1.2	1.18	1.18
OD	2.0	2.5	3	4
ID	1.88	2.37	2.87	3.84
t	0.06	0.06	0.06	0.08
E	2.44	3.23	3.43	4.72
E1	2.63	2.88	3.13	3.61
F1	0.98	0.98	1.18	1.18
F2	1.02	1.02	1.22	1.22
øH	4.52	4.52	6.07	6.07
øJ	5.83	6.42	7.01	7.80
S	0.61	0.61	0.81	0.81
M/ Clamp	0.50	0.50	0.50	0.63
Weight (lb)				
Standard	15.6	18.5	29.7	35.8
Reverse Acting	15.9	18.7	30	36.1

A1= min. Installation measure to allow that valve can be lifted out of the tank flange / valve body (if Indication Unit is mounted, height must be add)



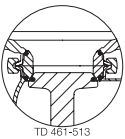
Caution, opening/closing time:

Opening/closing time will be effected by the following:

- The air supply (air pressure).
- The length and dimensions of the air hoses.
- Number of valves connected to the same air hose.
- Use of single solenoid valve for serial connected air actuator functions.
- Product pressure.

Air Connections Compressed air:

R 1/8" (BSP), internal thread.



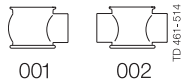
Replaceable elastomer plug seal

Technical Data

Max. product pressure in pipeline (depends on valve specifications):145 psi (1000 kPa (10 bar)).
 Max. product pressure in tank (depends on valve specifications and temperature):145 psi (1000 kPa (10 bar)) - max. 68° F.
123 psi (850 kPa (8.5 bar)) - max 212° F
109 psi (750 kPa (7.5 bar)) - 302° F
 Min. product pressure:Full vacuum.
 Temperature range:14°F to +284°F (EPDM)
 Air pressure:72.5 to 101.5 psi (500 to 700 kPa (5 - 7 bar)).

Valve Body Combinations

Valve Body Combinations



Actuator

Air consumption (In ³ free air) for one stroke	
2" - 2½"	3" - 4"
2.17 x air pressure [psi]	5.51 x air pressure [psi]

Materials

Product wetted steel parts:AISI 316L (internal Ra < 32 μ inch)
 Other steel partsAISI 304
 Plug seal:PTFE (TR2) (standard)
 Optional elastomer plug seal:EPDM, HNBR or FPM
 Other product wetted seals:EPDM (standard)
 Optional product wetted seals:HNBR and FPM
 Other sealsNBR

Options

- A. Weld ends or connection types other than Tri-Clamp
- B. Control and Indication: IndiTop, ThinkTop and ThinkTop Basic
- C. Aseptic version
- D. Product wetted seals in HNBR or FPM
- E. Replaceable elastomer plug seals
- F. High pressure actuator
- G. Manually operated
- H. NO or A/A actuator
- I. Long stroke actuator
- J. Maintainable actuator
- K. External surface finish blasted

Ordering

Please state the following when ordering:

- Size.
- Connections.
- Valve body combination.
- Options.

Note!

For further details, see instruction ESE00364.

Description Code Unique 7000

Examples:
 7610-012M1H40-1SSS-TY-S041 (All Ports Tri-Clamp)
 7610-012SNNNNMM1H40-1SSS-TY-S041
 (Combination Ports Weld & Tri-Clamp)

Valve function	Body										Stem/elastomer		Misc.						
1	2	3	4							5	6	7	8	9	10	11	12	13	14
7610	012	S	M							1	H40	1	S	S	S	T	Y	S	04

- 1 **Model**

Code	Code
-- Unique 7000	7610
-- Unique 7000 Aseptic	8610
-- Unique 7000 Tangential Outlet (Horizontal Mounting)	7620
-- Unique 7000 Tank Outlet (Vertical Mounting)	7630
-- Unique 7000 Regulating	7710
- 2 **Body style**

Code	Code
-- Shut-off (2 port)	200
-- Shut-off (3 port)	300
-- Shut-off Tangential Right (2 port)	208
-- Shut-off Tangential Left (2 port)	207
-- Shut-off Tangential Cross (3 port)	309
-- Change Over (3 port)	210
-- Change Over (4 port)	220
-- Change Over (4 port)	310
-- Change Over (5 port)	320
-- Shut-off RA (Reverse Acting) (2 port)	011
-- Shut-off RA (3 port)	021
-- Shut-off RA (3 port)	012
-- Shut-off RA (4 port)	022
-- Change Over RA (3 port)	111
-- Change Over RA (4 port)	211
-- Change Over RA (4 port)	121
-- Change Over RA (4 port)	112
-- Change Over RA (5 port)	212
-- Change Over RA (6 port)	222
-- Y-body	900
- 3 **Build in dimension**

Code	Code
-- Standard	S
-- 700 Series Build Dimensions (Center-Face; shut-off only)	C
- 4 **Connection Ports - all identical**

Code	Code
-- Weld ends - all ports	W
-- Tri-Clamp - all ports	M
-- Threaded Bevel Seat - all ports	T

Connection Ports - mixed

Code	Code
Mixed connection types	S
-- Weld end	W
-- Tri-Clamp	M
-- Iso Clamp	I
-- Union SMS	C
-- Union DIN	D
-- Din Clamp	D
-- Threaded Bevel Seat	T
-- No port	N
- 5 **Surface Finish**

Code	Code
-- 3A (OD = Dust blast; ID = 32Ra)	1
-- 3A Bright (OD = Bright; ID = 32Ra)	2
-- PC (3A) (OD = Dust blast; ID = 20Ra)	3
-- PL (3A) (OD = Bright; ID = 20Ra)	4
-- PP (3A) (OD = Bright; ID = 15Ra)	5
-- PM (3A) (OD = Bright; ID = 15Ra w/EP)	6
- 6 **Size (Port)**

Code	Code
-- 1-Inch	H10
-- 1½-Inch	H15
-- 2-Inch	H20
-- 2½-Inch	H25
-- 3-Inch	H30
-- 4-Inch	H40
- 7 **Actuation Mode**

Code	Code
-- Norm. Open/Spring to open	1
-- Norm. Open/Spring to open (RA)	2
-- Norm. Closed/Spring to close	2
-- Norm. Closed/Spring to close (RA)	1
-- Air to air	3
-- Two-step/Three Position	4
-- Manual	5
- 8 **Actuator Stroke**

Code	Code
-- Standard	S
-- Long Stroke	L
- 9 **Actuator Type**

Code	Code
-- Maintainable	R
-- Semi maintainable	S
- 10 **Holding Pressure Capability**

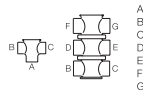
Code	Code
-- Standard	S
-- High pressure	H
- 11 **Stem Type**

Code	Code
-- Elastomer Plug Seal	S
-- TR2/PTFE Plug Seal	T
- 12 **Wetted Seal Materials**

Code	Code
-- EPDM	E
-- HNBR	U
-- FPM (Fluoroelastomer)	Y
- 13 **Assembled Valve**

Code	Code
Assembled valve	S
- 14 **Top Unit Type**

Code	Code
IndiTop digital 0 solenoid	IT
ThinkTop digital 1 solenoid	TB
ThinkTop digital 2 solenoid	TC
ThinkTop ASI 0 solenoid	TE
ThinkTop ASI 1 solenoid	TF
ThinkTop ASI 2 solenoid	TG
ThinkTop DeviceNet 0 solenoid	TI
ThinkTop DeviceNet 1 solenoid	TJ
ThinkTop DeviceNet 2 solenoid	TK
ThinkTop Digital 110V 0 solenoid	TM
ThinkTop Digital 110V 1 solenoid	TN
ThinkTop Digital 110V 2 solenoid	TO
GreenTop 2 Mech Switches 0 Solenoid	O4
GreenTop 2 Prox Switches 0 Solenoid	12
GreenTop 24 VDC 2 Mech Switches 1 Solenoid	18
GreenTop 110 VAC 2 Mech Switches 0 Solenoid	20
GreenTop 24 VDC 2 Prox Switches 1 Solenoid	34
GreenTop 110 VAC 2 Prox Switches 1 Solenoid	36




TD 461-451

ESE00251ENUS 0705

The information contained herein is correct at the time of issue,
but may be subject to change without prior notice.

How to contact Alfa Laval

Contact details for all countries
are continually updated on our website.
Please visit www.alfalaval.com to
access the information direct.

 Authorized to carry
the 3A symbol